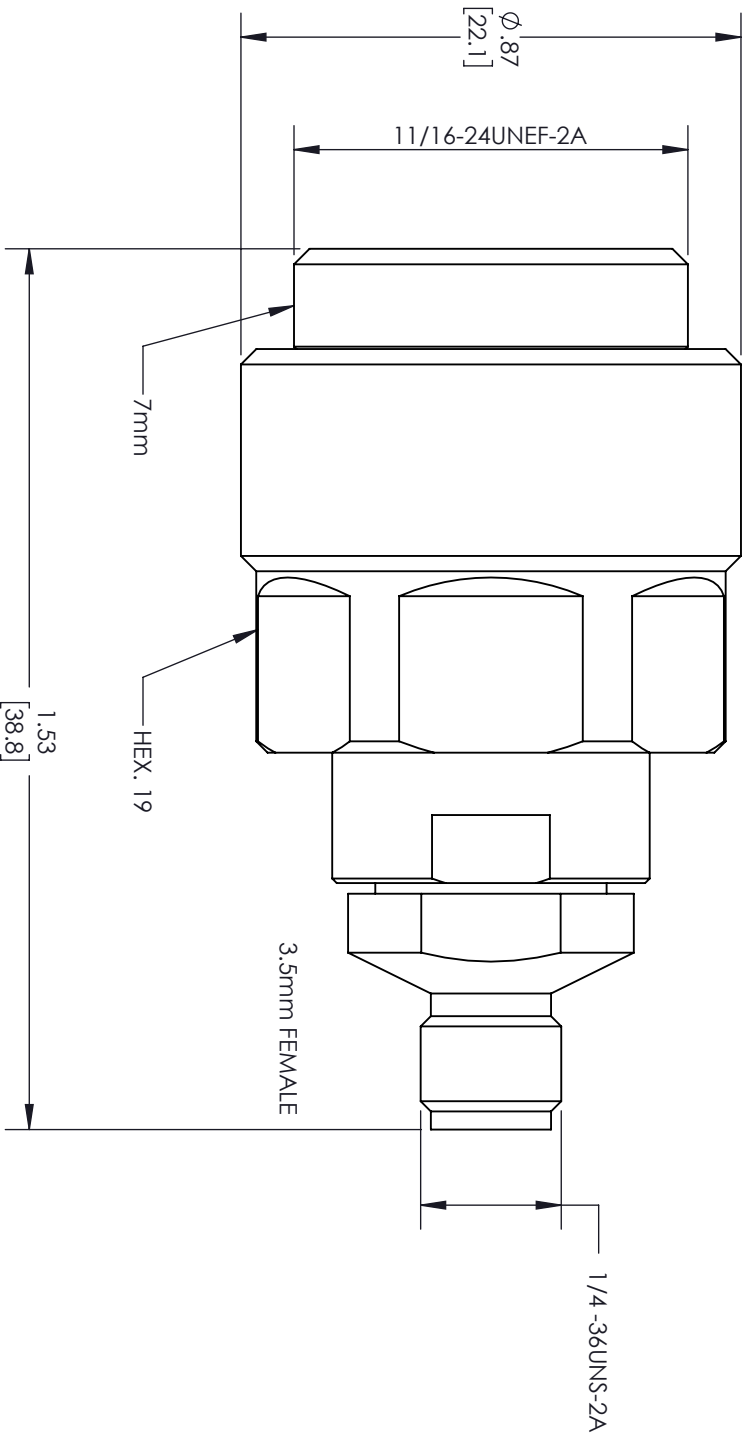


| REVISIONS | | | |
|-----------|-----------------|------------|----------|
| REV. | DESCRIPTION | DATE | APPROVED |
| A | INITIAL RELEASE | 02/15/2021 | SELLIS |



THESE COMMODITIES, TECHNOLOGY OR SOFTWARE WERE EXPORTED FROM THE UNITED STATES IN ACCORDANCE WITH THE EXPORT ADMINISTRATION REGULATIONS, DIVERSION CONTRARY TO U.S. LAW PROHIBITED.



TITLE

| | | | | | | | |
|---|-----------|--|----------|---|--|---|--|
| UNLESS OTHERWISE SPECIFIED LEADING DIMENSIONS ARE INCHES DIMENSIONS IN [] ARE MILLIMETERS | | | | THIRD-ANGLE PROJECTION | | | |
| TOLERANCES: | | | | THE INFORMATION AND DESIGN IN THIS DOCUMENT IS THE PROPERTY OF FAIRVIEW MICROWAVE CORPORATION. ALL RIGHTS RESERVED. | | | |
| FRACTIONS | | CABLE LENGTH (L) TOLERANCES: | | L ≤ 12 [305] = +1 [25] / -0 | | 12 [305] < L ≤ 60 [1524] = +2 [51] / -0 | |
| ± 1/32 | | 60 [1524] < L ≤ 120 [3048] = +4 [102] / -0 | | 120 [3048] < L ≤ 300 [7620] = +6 [152] / -0 | | 300 [7620] < L = +5%L / -0 | |
| ALL DIMENSIONS SHOWN ARE FOR REFERENCE ONLY. | | | | SCALE | | | |
| SIZE | GAGE CODE | DRAWN BY | ITEM NO. | SCALE | | REV | |
| A | 3FKRS | MVEERAPPAN | FMAD1260 | N/A | | A | |