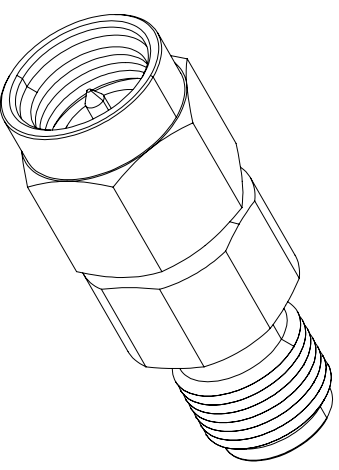
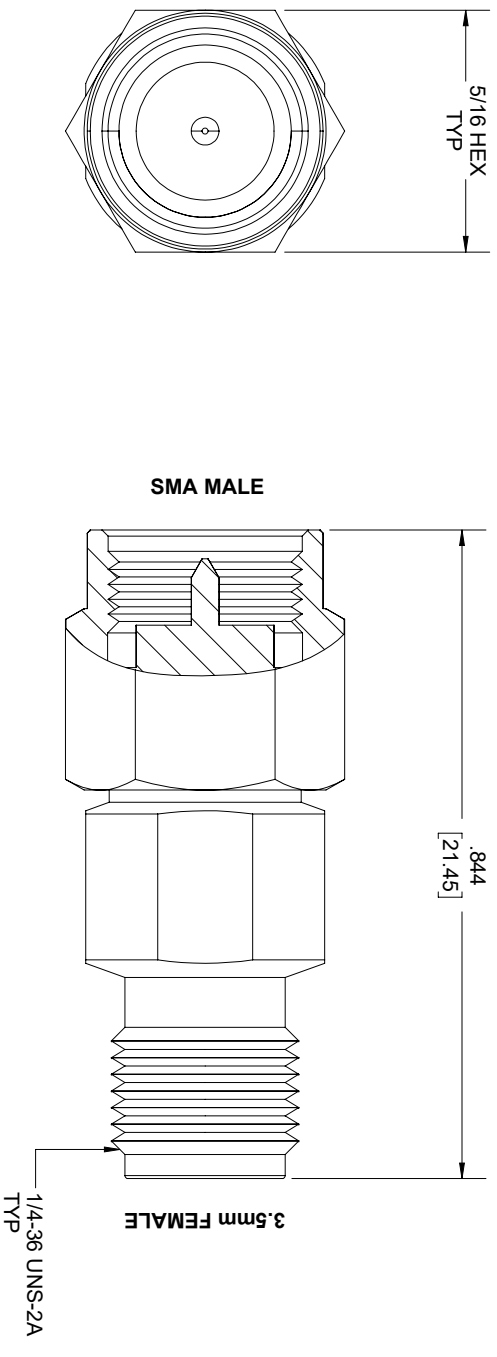


REVISIONS			
REV.	DESCRIPTION	DATE	APPROVED
A	INITIAL RELEASE	02/21/20	SELLIS
B	PCR	09/24/21	SRAUTUS



THESE COMMODITIES, TECHNOLOGY OR SOFTWARE WERE EXPORTED FROM THE UNITED STATES IN ACCORDANCE WITH THE EXPORT ADMINISTRATION REGULATIONS, DIVERSION CONTRARY TO U.S. LAW PROHIBITED.



TITLE

UNLESS OTHERWISE SPECIFIED LEADING DIMENSIONS ARE INCHES DIMENSIONS IN [] ARE MILLIMETERS				THIRD-ANGLE PROJECTION	
TOLERANCES:				THE INFORMATION AND DESIGN IN THIS DOCUMENT IS THE PROPERTY OF FAIRVIEW MICROWAVE CORPORATION. ALL RIGHTS RESERVED.	
CABLE LENGTH (L) TOLERANCES:				SCALE	
L ≤ 12 [305] = +1 [25] / -0				1	
12 [305] < L ≤ 60 [1524] = +2 [51] / -0				1	
60 [1524] < L ≤ 120 [3048] = +4 [102] / -0				1	
120 [3048] < L ≤ 300 [7620] = +6 [152] / -0				1	
300 [7620] < L = +5%L / -0				1	
X = ±.2 [5.08] FRACTIONS ±.1/32				OF	
XX = ±.02 [.51] ANGLES ± 1°				1	
XXX = ±.005 [.13]				1	
ALL DIMENSIONS SHOWN ARE FOR REFERENCE ONLY.					
SIZE	CAGE CODE	DRAWN BY	ITEM NO.	REV	
A	3FKR5	KDANG	FMAD1246	B	N/A