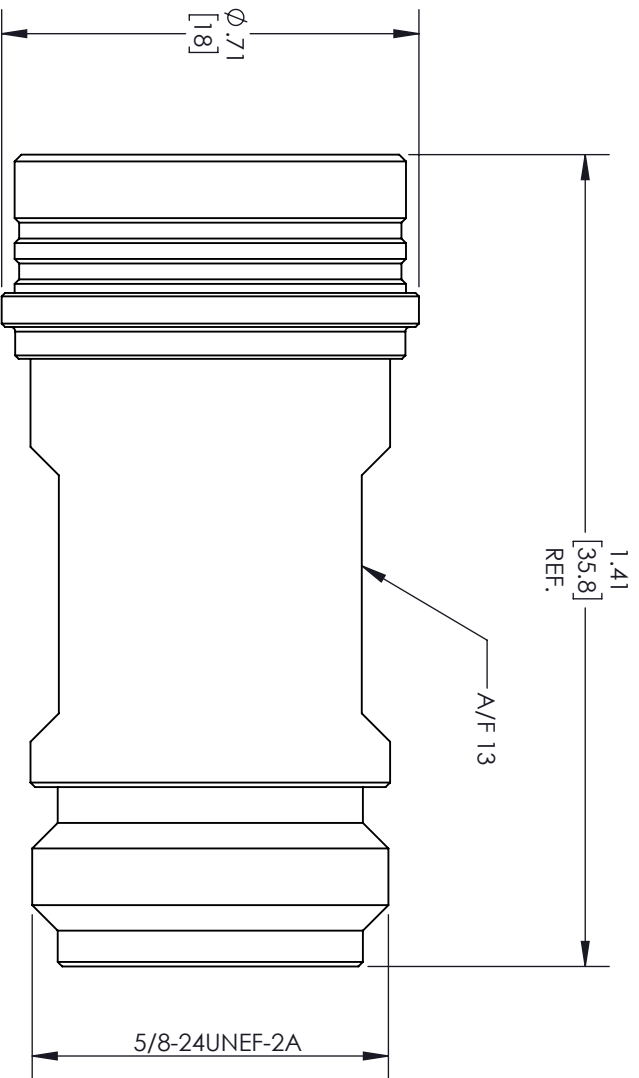


| REVISIONS | | | |
|-----------|-----------------|------------|----------|
| REV. | DESCRIPTION | DATE | APPROVED |
| A | INITIAL RELEASE | 03/24/2022 | AGANWANI |



THESE COMMODITIES, TECHNOLOGY OR SOFTWARE WERE EXPORTED FROM THE UNITED STATES IN ACCORDANCE WITH THE EXPORT ADMINISTRATION REGULATIONS, DIVERSION CONTRARY TO U.S. LAW PROHIBITED.



TITLE

| | | | |
|---|------------------|---|----------|
| UNLESS OTHERWISE SPECIFIED LEADING DIMENSIONS ARE INCHES DIMENSIONS IN [] ARE MILLIMETERS | | THIRD ANGLE PROJECTION | |
| TOLERANCES: | | THE INFORMATION AND DESIGN IN THIS DOCUMENT IS THE PROPERTY OF FAIRVIEW MICROWAVE CORPORATION. ALL RIGHTS RESERVED. | |
| CABLE LENGTH (L) TOLERANCES: | | SCALE | |
| X = ±.2 [5.08] | FRACTIONS ± 1/32 | L ± 1/2 [50.8] = +1 [25] / -0 | N/A |
| XX = ±.02 [51] | ± 1/32 | 12 [305] < L ≤ 60 [1524] = +2 [51] / -0 | OF 1 |
| XXX = ±.005 [13] | ANGLES ± 1° | 60 [1524] < L ≤ 120 [3048] = +4 [102] / -0 | |
| | | 120 [3048] < L ≤ 300 [7620] = +6 [152] / -0 | |
| | | 300 [7620] < L = +5%L / -0 | |
| SIZE | GAGE CODE | DRAWN BY | ITEM NO. |
| A | 3FKRS | VTHANGARAJ | FMAD1188 |
| ALL DIMENSIONS SHOWN ARE FOR REFERENCE ONLY. | | | REV |
| | | | A |