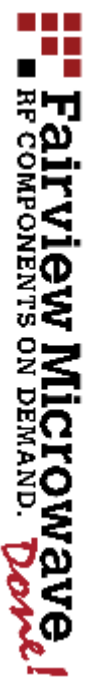
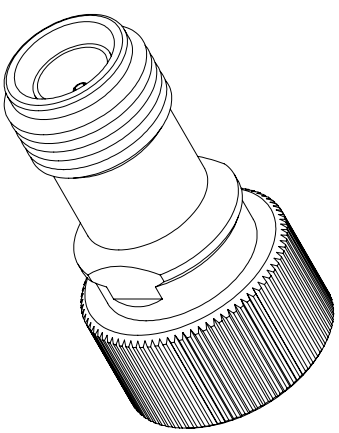


GH5B85F8.HC@9F5B79G
 "L.....-\$"&
 "LL.....-\$"&\$%
 "LLL.....-\$"\$\$\$)

I GH5B85F8.HC@9F5B79G.5DD@M
 CB@MHC.8-A.9BG-C.BG.-B.-B7.<9G



HH@9

BCHK. %1.B@9GG.CH-K.9F.K.-G.9.GD97 = #98.5@8.4.9BG-CBG.5F.9.BCA.-B5@ &""5@GD97 = -7.5H-CBG.5F.9.GI.6.5@7.HHC.7.<5B: 9.K.-H.CI.H.BCH=7.9.5H.5B.MHA.9° ...8.A.9BG-CBG.5F.9.-B.-B7.<9G.O.a.Q				
8K : BC	ØT ØFFI I		75: 97G89	: ? F)
758 : @9 %&#&\$) #%	G<99H	%C : %	G75@9 B#5	G-N9° 5
				7B&&()