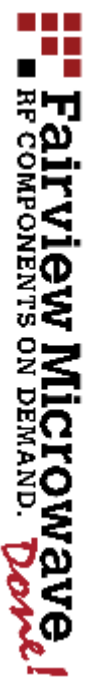
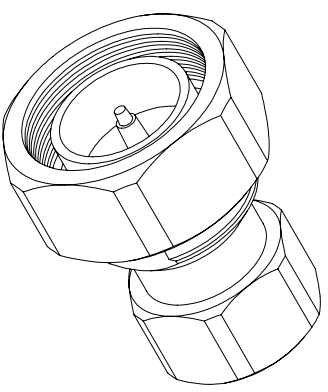


++#/# 8 FB  
A5 @

( " 1/#"  
: 9A5 @

GHSB85F8.HC@9F5BZ9G  
 "L.....-\$"&  
 "L.....-\$"&\$%  
 "LLL.....-\$"\$\$\$)

! GHSB85F8.HC@9F5BZ9G.5DD@M  
 CB@MHC.8-A.9BG-C.BG.-B.-B7.<9G



HH@9

BHFG. %1.B@9GG.CH-K.9F.K.-G.9.GD97 = #98.5@8.8-A.98G-CBG.5F.9.BCA.-B5@ &".5@GD97 = -7.5H-CBG.5F.9.GI.6>97/HHC.7.<5B: 9.K.-H.CI.H.BCH/79.5H.5BMHA.9" "...8-A.9BG-C.BG.5F.9.-B.-B7.<9G.Q.a.Q				
8K : BC	ØT ØFFI Ì		75: 97G89	: ? F)
758 : @9 %&#\$(#%	G<99H	%C : %	G75@9 B#5	G-N9' 5
				7B&&()