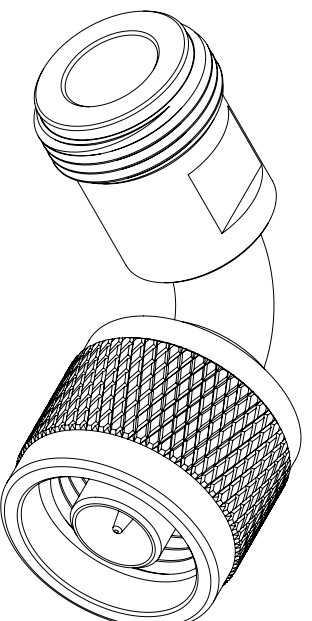
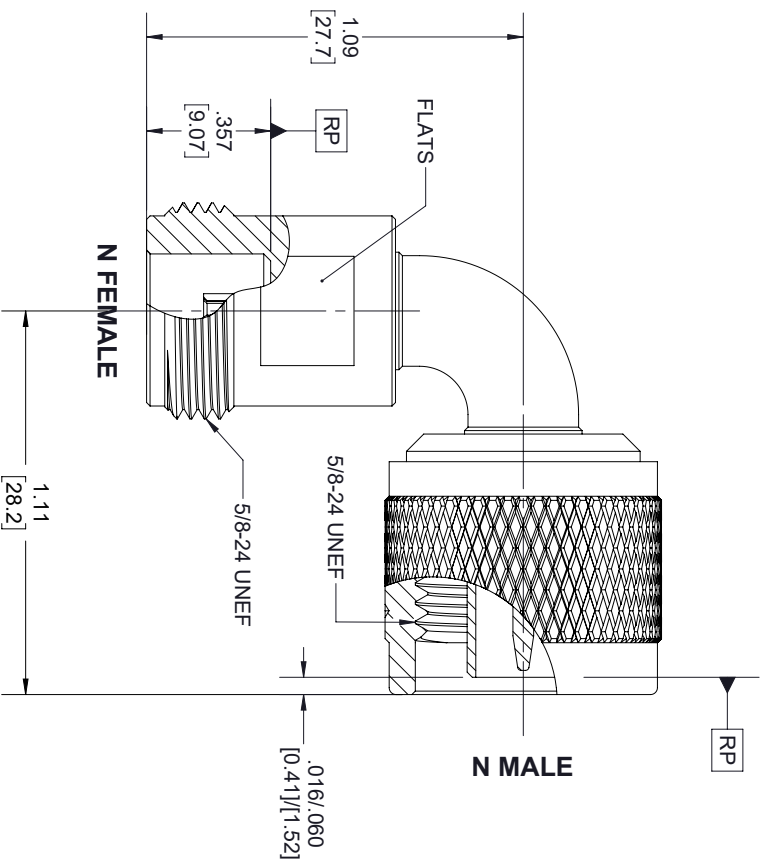


REVISIONS			
REV.	DESCRIPTION	DATE	APPROVED
B	FOR FMAD1057	3/11/2021	S. ELLIS



THESE COMMODITIES, TECHNOLOGY OR SOFTWARE WERE EXPORTED FROM THE UNITED STATES IN ACCORDANCE WITH THE EXPORT ADMINISTRATION REGULATIONS, DIVERSION CONTRARY TO U.S. LAW PROHIBITED.



TITLE

UNLESS OTHERWISE SPECIFIED LEADING DIMENSIONS ARE INCHES DIMENSIONS IN [] ARE MILLIMETERS				THIRD-ANGLE PROJECTION	
TOLERANCES:					
CABLE LENGTH (L) TOLERANCES:				THE INFORMATION AND DESIGN IN THIS DOCUMENT IS THE PROPERTY OF FAIRVIEW MICROWAVE CORPORATION. ALL RIGHTS RESERVED.	
$X = \pm .2$ [5.08] FRACTIONS $XX = \pm .02$ [.51] ± .1/32 $XXX = \pm .005$ [.13] ANGLES ± 1°		$L \pm 1/2$ [B06] = +1 [25] / -0 12 [305] < L ≤ 60 [1524] = +2 [51] / -0 60 [1524] < L ≤ 120 [3048] = +4 [102] / -0 120 [3048] < L ≤ 300 [7620] = +6 [152] / -0 300 [7620] < L = +5% / -0		SCALE	
ALL DIMENSIONS SHOWN ARE FOR REFERENCE ONLY.				N/A	
SIZE	CAGE CODE	DRAWN BY	ITEM NO.	REV	REV
A	3FKR5	K.DANG	PE91350		A