

LABEL

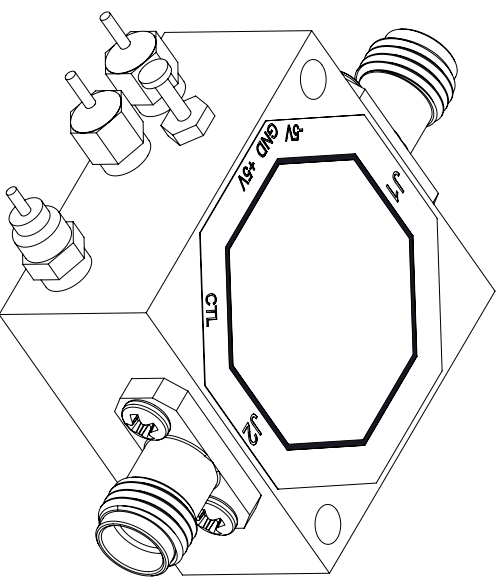
Fairview Microwave
an INFINITI@ brand

PHASE SHIFTER
MODEL NO: **FM86GM2000**
SERIAL NO: PXXXXXXX

STANDARD TOLERANCES

.X	±0.2
.XX	±0.01
.XXX	±0.005

*STANDARD TOLERANCES APPLY ONLY TO DIMENSIONS IN INCHES



Fairview Microwave
an INFINITI@ brand

TITLE

NOTES:
1. UNLESS OTHERWISE SPECIFIED ALL DIMENSIONS ARE NOMINAL.
2. ALL SPECIFICATIONS ARE SUBJECT TO CHANGE WITHOUT NOTICE AT ANY TIME.
3. DIMENSIONS ARE IN INCHES [mm].

DWG NO	FM86GM2000	CAGE CODE	3FKR5
CAD FILE	05/09/18	SHEET	1 OF 1
SCALE	N/A	SIZE	A
			7361