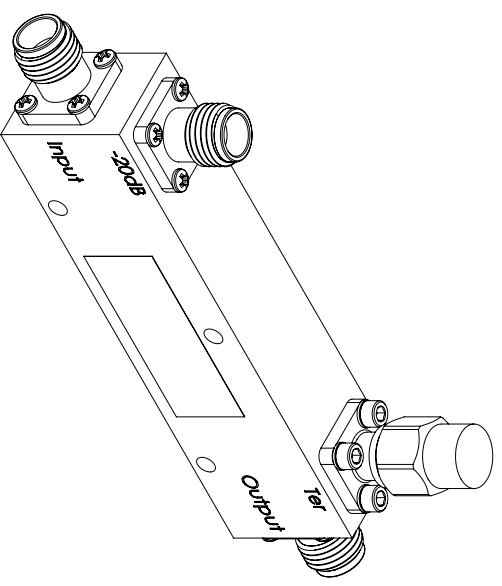


**LABEL**

**FAIRVIEW MICROWAVE**  
**FM2CP1127-20**  
 D/C: XXXX

**STANDARD TOLERANCES**  
 .X ±0.2  
 .XX ±0.01  
 .XXX ±0.005

\*STANDARD TOLERANCES APPLY ONLY TO DIMENSIONS IN INCHES



**NOTES:**  
 1. UNLESS OTHERWISE SPECIFIED ALL DIMENSIONS ARE NOMINAL.  
 2. ALL SPECIFICATIONS ARE SUBJECT TO CHANGE WITHOUT NOTICE AT ANY TIME.  
 3. DIMENSIONS ARE IN INCHES [mm].

TITLE		DWG NO		CAGE CODE	
		FM2CP1127-20		3FKR5	
CAD FILE	04/17/19	SHEET	1 OF 1	SCALE	N/A
		SIZE	A		7361