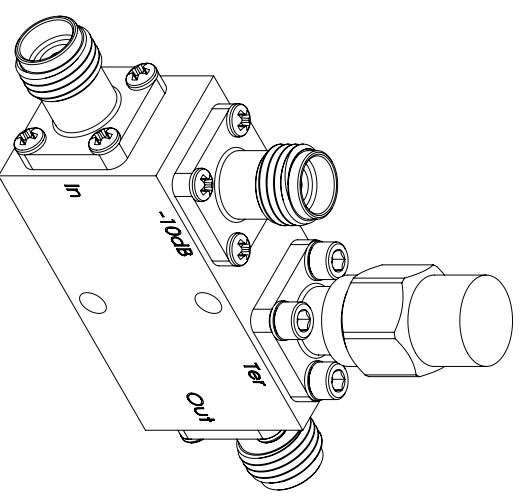
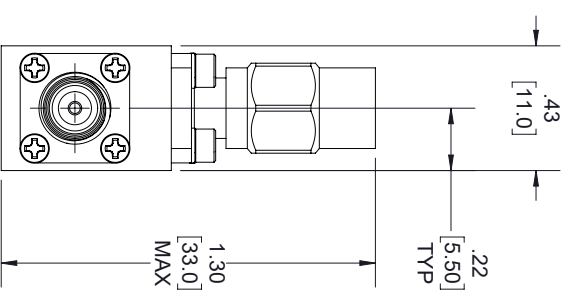
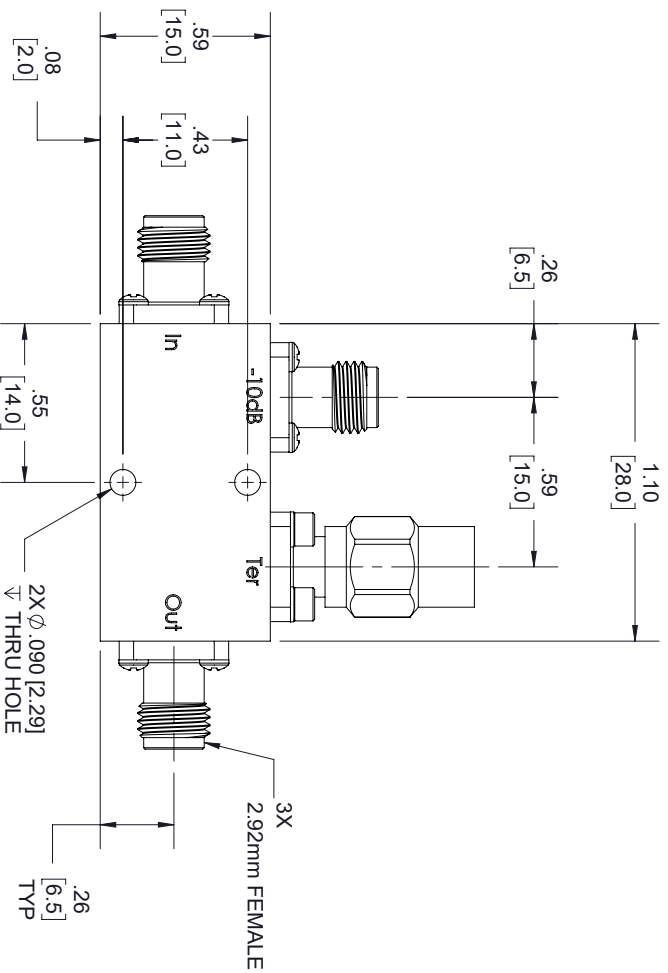


REVISIONS			
REV.	DESCRIPTION	DATE	APPROVED
C	PCR FM2CP1126-10	8/11/2021	S.PONG



**FAIRVIEW MICROWAVE**  
 FM2CP1126-10  
 D/C: YYYYY

LABEL

THESE COMMODITIES, TECHNOLOGY OR SOFTWARE WERE EXPORTED FROM THE UNITED STATES IN ACCORDANCE WITH THE EXPORT ADMINISTRATION REGULATIONS, DIVERSION CONTRARY TO U.S. LAW PROHIBITED.



TITLE

UNLESS OTHERWISE SPECIFIED LEADING DIMENSIONS ARE INCHES  
 DIMENSIONS IN [ ] ARE MILLIMETERS  
 TOLERANCES:  
 CABLE LENGTH (L) TOLERANCES:



THIRD-ANGLE PROJECTION

L ± 1/2 (805) = +1 [25] / -0  
 12 [305] < L ≤ 60 [1524] = +2 [51] / -0  
 60 [1524] < L ≤ 120 [3048] = +4 [102] / -0  
 120 [3048] < L ≤ 300 [7620] = +6 [152] / -0  
 300 [7620] < L = +5%L / -0

THE INFORMATION AND DESIGN IN THIS DOCUMENT IS THE PROPERTY OF FAIRVIEW MICROWAVE CORPORATION. ALL RIGHTS RESERVED.

SHEET 1 OF 1

SIZE	GAGE CODE	DRAWN BY	ITEM NO.	SCALE
A	3FKRS	K.DANG	FM2CP1126-10	N/A
				REV C