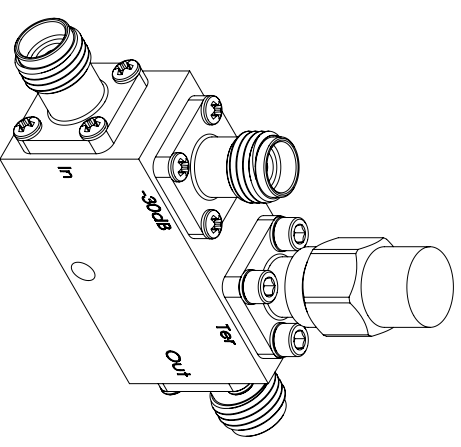
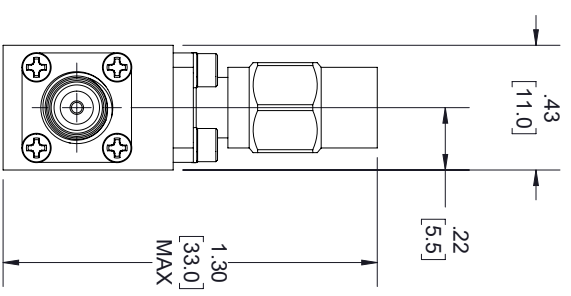
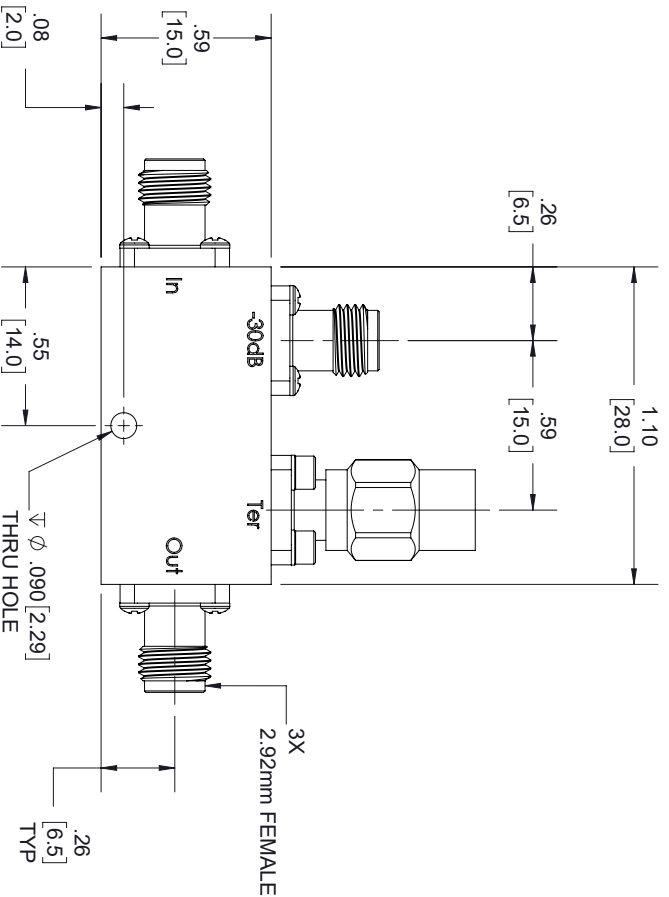


REVISIONS			
REV.	DESCRIPTION	DATE	APPROVED
B	PCR FM2CP1125-30	8/11/2021	S.PONG



FAIRVIEW MICROWAVE
 FM2CP1125-30
 D/C: YYYYWW

LABEL

THESE COMMODITIES, TECHNOLOGY OR SOFTWARE WERE EXPORTED FROM THE UNITED STATES IN ACCORDANCE WITH THE EXPORT ADMINISTRATION REGULATIONS, DIVERSION CONTRARY TO U.S. LAW PROHIBITED.



TITLE

UNLESS OTHERWISE SPECIFIED LEADING DIMENSIONS ARE INCHES DIMENSIONS IN [] ARE MILLIMETERS				THIRD-ANGLE PROJECTION			
TOLERANCES:				CABLE LENGTH (L) TOLERANCES:			
X = ±.2	[5.08]	FRACTIONS	±.125	L ≤ 12 [305]	±.125	±.0	THE INFORMATION AND DESIGN IN THIS DOCUMENT IS THE PROPERTY OF FAIRVIEW MICROWAVE CORPORATION. ALL RIGHTS RESERVED.
XX = ±.02	[.51]	±.1/32	60 [1524]	< L ≤ 120 [3048]	±.4	[102] ±.0	
XXX = ±.005	[.13]	ANGLES ± 1°	120 [3048]	< L ≤ 300 [7620]	±.6	[152] ±.0	SHEET 1 OF 1
			300 [7620]	< L	±.5%	L / .0	
SIZE	GAGE CODE	DRAWN BY	ITEM NO.	SCALE	REV		
A	3FKRS	K.DANG	FM2CP1125-30	N/A	B		

ALL DIMENSIONS SHOWN ARE FOR REFERENCE ONLY.