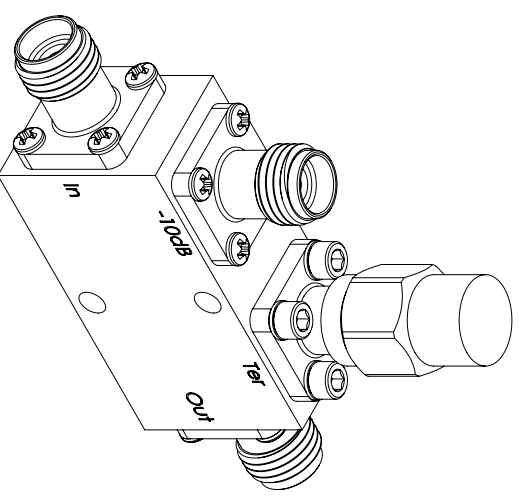
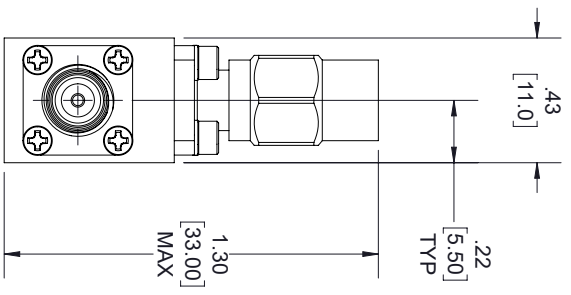
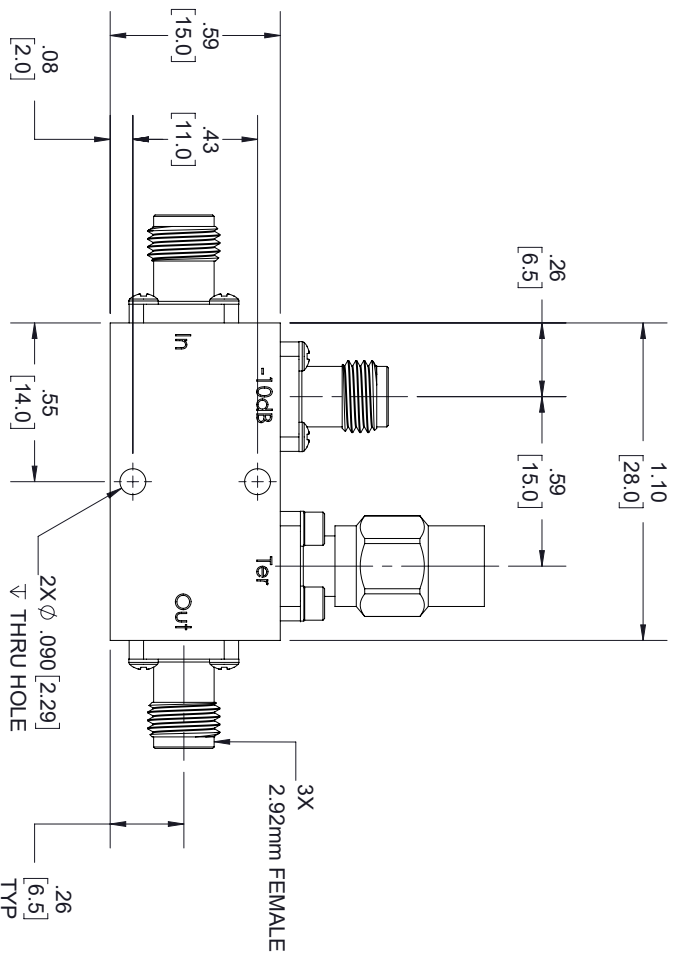


REVISIONS			
REV.	DESCRIPTION	DATE	APPROVED
B	FOR FM2CP1124-10	8/11/2021	S.PONG



LABEL
 FAIRVIEW MICROWAVE
 FM2CP1124-10
 D/C: YYYY



THESE COMMODITIES, TECHNOLOGY OR SOFTWARE WERE EXPORTED FROM THE UNITED STATES IN ACCORDANCE WITH THE EXPORT ADMINISTRATION REGULATIONS, DIVERSION CONTRARY TO U.S. LAW PROHIBITED.

UNLESS OTHERWISE SPECIFIED LEADING DIMENSIONS ARE INCHES
 DIMENSIONS IN [] ARE MILLIMETERS

TOLERANCES:

CABLE LENGTH (L) TOLERANCES:



X = +.2 [5.08] FRACTIONS
 XX = +.02 [.51] ± 1/32
 XXX = +.005 [.13] ANGLES ± 1°

L ≤ 12 [305] = +1 [25] / -0
 12 [305] < L ≤ 60 [1524] = +2 [51] / -0
 60 [1524] < L ≤ 120 [3048] = +4 [102] / -0
 120 [3048] < L ≤ 300 [7620] = +6 [152] / -0
 300 [7620] < L = +5%L / -0

THE INFORMATION AND DESIGN IN THIS DOCUMENT IS THE PROPERTY OF FAIRVIEW MICROWAVE CORPORATION. ALL RIGHTS RESERVED.

SHEET 1 OF 1

SIZE	DRAWN BY	ITEM NO.	SCALE	REV
A	K.DANG	FM2CP1124-10	N/A	B
GAGE CODE				
3FKRS				