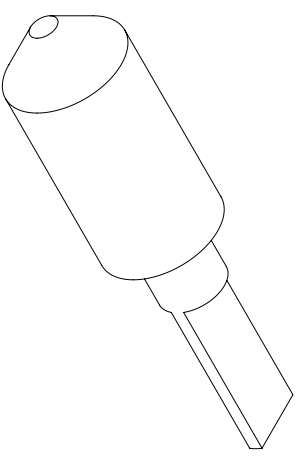
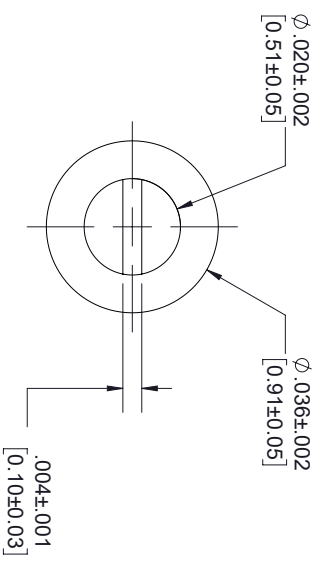
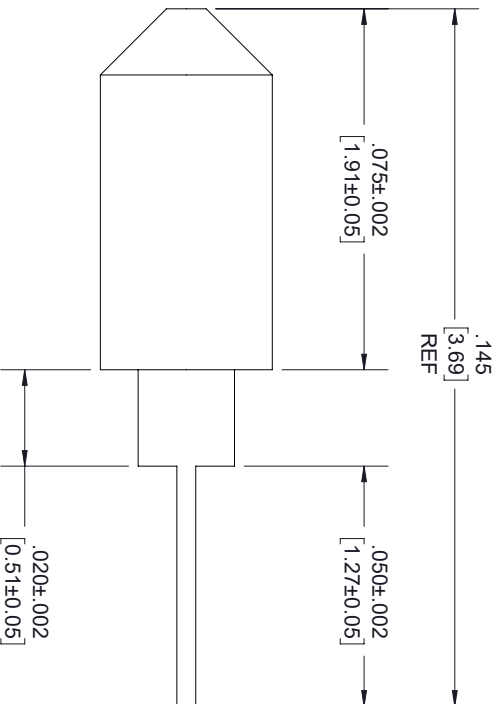


| REVISIONS | | | |
|-----------|-----------------|----------|----------|
| REV. | DESCRIPTION | DATE | APPROVED |
| A | INITIAL RELEASE | 2/5/2021 | S. ELLIS |



NOTES:

1. FINISH (PLATING THICKNESS IN MICRO-INCHES)
 - BERYLLIUM COPPER.
 - GOLD PL. 4 MIN. OVER NICKEL-PHOSPHORUS ALLOY PL. 80 MIN. OVER COPPER PL. 20MIN.

THESE COMMODITIES, TECHNOLOGY OR SOFTWARE WERE EXPORTED FROM THE UNITED STATES IN ACCORDANCE WITH THE EXPORT ADMINISTRATION REGULATIONS, DIVERSION CONTRARY TO U.S. LAW PROHIBITED.



TITLE

| | | | | | |
|---|-----------|--|-----------|---|--|
| UNLESS OTHERWISE SPECIFIED LEADING DIMENSIONS ARE INCHES DIMENSIONS IN [] ARE MILLIMETERS | | | | THIRD-ANGLE PROJECTION | |
| TOLERANCES: | | | | THE INFORMATION AND DESIGN IN THIS DOCUMENT IS THE PROPERTY OF FAIRVIEW MICROWAVE CORPORATION. ALL RIGHTS RESERVED. | |
| CABLE LENGTH (L) TOLERANCES: | | L ≤ 12 [305] = +1 [25] / -0 | | SHEET 1 OF 1 | |
| L 12 [305] < L ≤ 60 [1524] = +2 [51] / -0 | | 60 [1524] < L ≤ 120 [3048] = +4 [102] / -0 | | SCALE N/A | |
| 120 [3048] < L ≤ 300 [7620] = +6 [152] / -0 | | 300 [7620] < L = +5%L / -0 | | REV A | |
| ALL DIMENSIONS SHOWN ARE FOR REFERENCE ONLY. | | | | | |
| SIZE | GAGE CODE | DRAWN BY | ITEM NO. | REV | |
| A | 3FKRS | K.DANG | FM1016-13 | A | |