

6

5

4

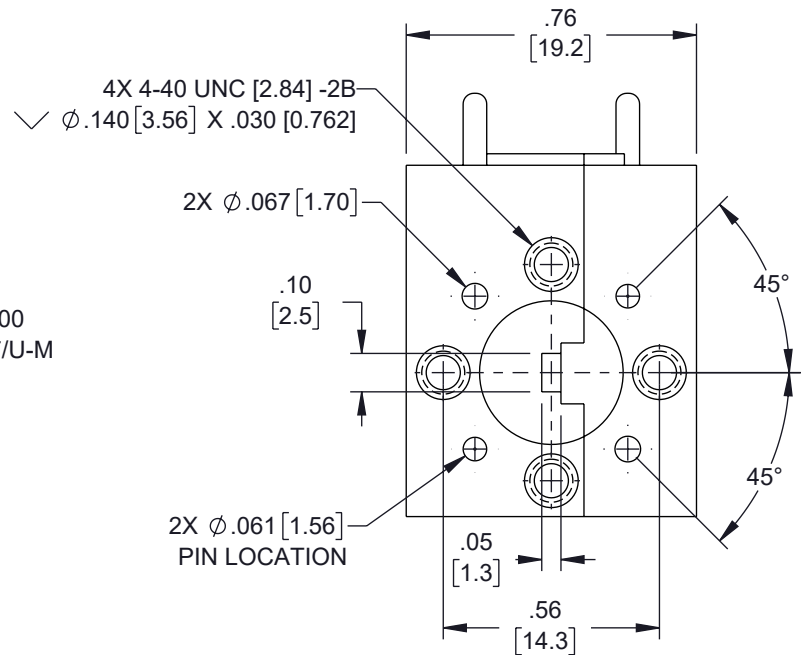
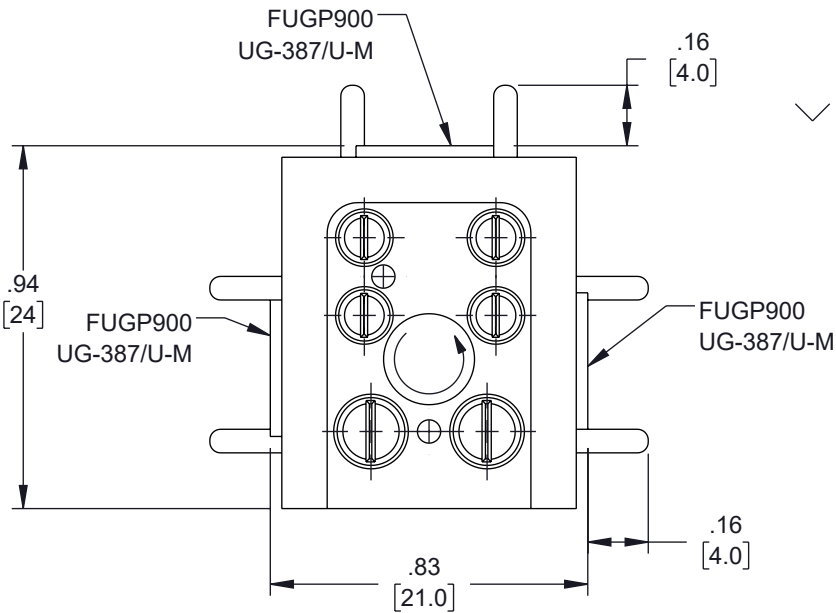
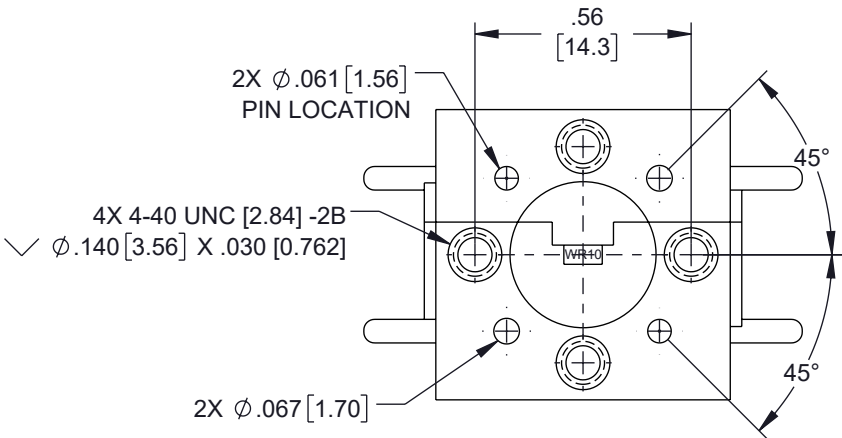
3

2

1

REVISION

| ZONE | REV | DESCRIPTION | DATE | CHANGED BY | APPROVED |
|------|-----|-----------------|------------|------------|----------|
| | A | INITIAL RELEASE | 02/27/2023 | DMAY | SPONG |



UNLESS OTHERWISE SPECIFIED
LEADING DIMENSIONS ARE INCHES
DIMENSIONS IN [] ARE MILLIMETERS

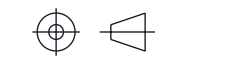
TOLERANCES:
.X = \pm .2 [5] FRACTIONS \pm 1/32
.XX = \pm .02 [.5] ANGLES \pm 1°
.XXX = \pm .005 [.13]

CABLE LENGTH TOLERANCES:
 \leq 12 [305] = +1 [25] / -0
>12 [305] \leq 60 [1524] = +2 [51] / -0
>60 [1524] \leq 120 [3048] = +4 [102] / -0
>120 [3048] \leq 300 [7620] = +6 [152] / -0
>300 [7620] = +5% / -0

ALL DIMENSIONS ARE FOR REFERENCE ONLY
AND SUBJECT TO CHANGE WITHOUT NOTICE.



Website: www.FairviewMicrowave.com
Phone: 1.800.715.4396 | 1.972.649.6678



INTERPRET ALL DIMENSIONS AND TOLERANCES PER ASME Y14.5

SCALE NONE SHEET 1 OF 1

DESCRIPTION
WR-10 WAVEGUIDE CIRCULATOR, 82.2-84.2GHz

| | | | | |
|-----------|--------------------|------------------|-------------------------|----------|
| SIZE A | CAGE CODE 3FKR5 | DRAWN BY DMAY | ITEM NO. FM-W10CR001 | REV A |
|-----------|--------------------|------------------|-------------------------|----------|

THE INFORMATION CONTAINED IN THIS DRAWING IS THE SOLE PROPERTY OF INFINITE ELECTRONICS, INC. ANY REPRODUCTION IN PART OR WHOLE WITHOUT THE WRITTEN PERMISSION OF INFINITE ELECTRONICS, INC. IS PROHIBITED. THESE COMMODITIES, TECHNOLOGY OR SOFTWARE WERE EXPORTED FROM THE UNITED STATES IN ACCORDANCE WITH THE EXPORT ADMINISTRATION REGULATIONS. DIVERSION CONTRARY TO U.S. LAW PROHIBITED.

6

5

4

3

2

1